



**WCN1-XX80XX-XXX
WCN1-XX80XX-XXXR
WCN2-XX80XX-XXX
WCN3-XX80XX-XXX**

SERIES

0.80"SEVEN-SEGMENT NUMERIC LED DISPLAYS

FEATURES

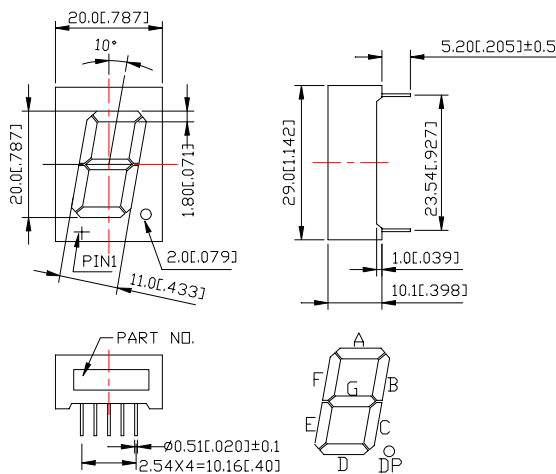
- High intensity and reliability.
- High quality and low cost.
- Choice of colors: Red/Orange/Green/Blue,etc.
- Low power requirement.
- Easy assembly.

DESCRIPTION

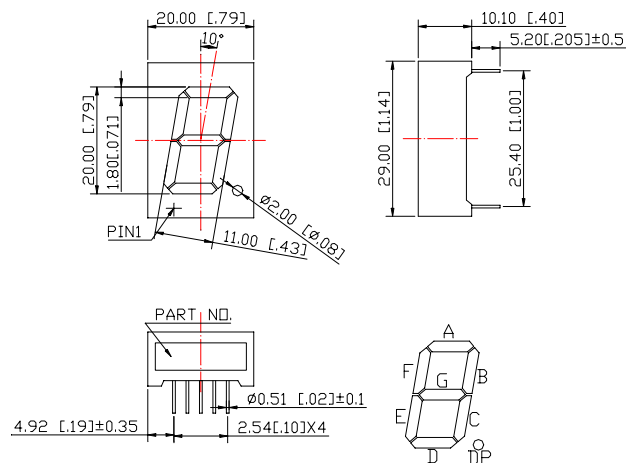
The WCN1-XX80XX-XXX and WCN1-XX80XX-XXXR series are 0.80 inch (20.0mm), (20.3mm) height single digit displays. The WCN2-XX80XX-XXX and WCN3-XX80XX-XXX series are 0.80 inch (20.1mm), 0.80 inch (20.32mm) height dual ,triad digit displays. SH. Red displays have black face or gray face and milky segment or red segment. Orange displays have black face or gray face and milky segment or red segment. Bright Green displays have black face or gray face and milky segment or green segment.

PACKAGE DIMENSIONS

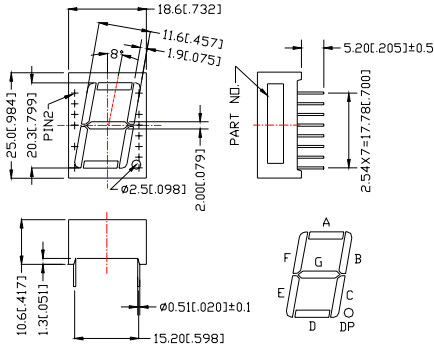
A. WCN1-XX80XX-A4X/C4X



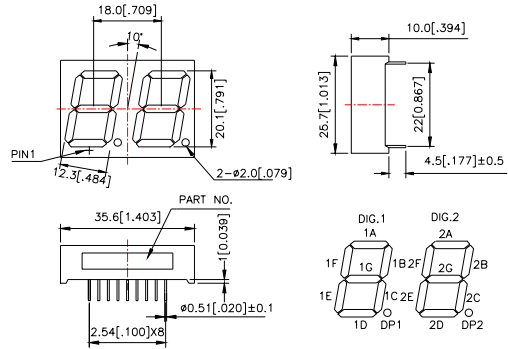
B. WCN1-XX80XX-A5X/C5X



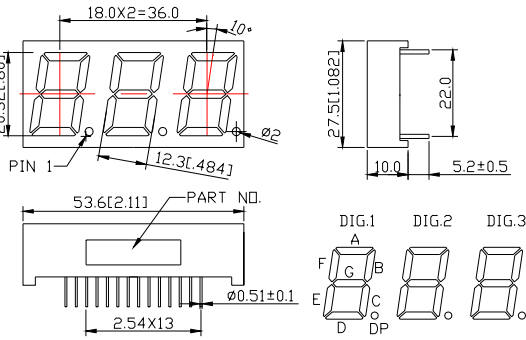
C. WCN1-XX80XX-A1XR/C1XR



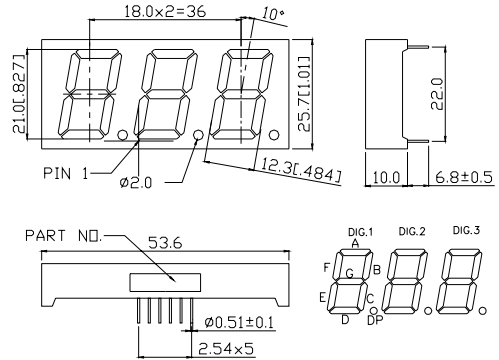
D. WCN2-XX80XX-A1X/C1X



E. WCN3-XX80XX-A11/C11



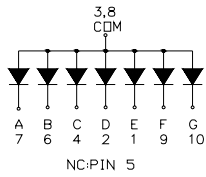
F. WCN3-XX80XX-A13/C13



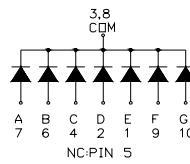
NOTES: All dimensions are in millimeters (inches) tolerance are $\pm 0.25\text{mm}(0.010)$ unless otherwise noted.

INTERNAL CIRCUIT DIAGRAM

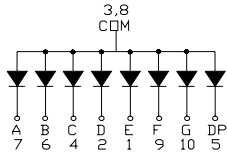
A. WCN1-XX80XX-A4X



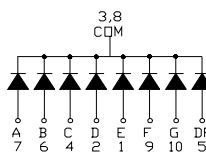
B. WCN1-XX80XX-C4X



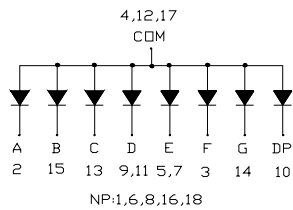
C. WCN1-XX80XX-A5X



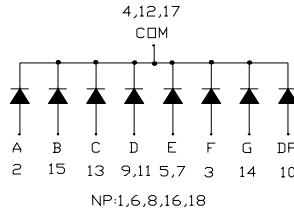
D. WCN1-XX80XX-C5X



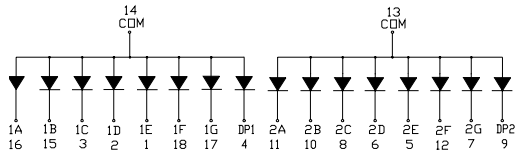
E. WCN1-XX80XX-A1XR



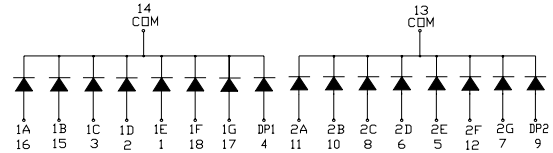
F. WCN1-XX80XX-C1XR



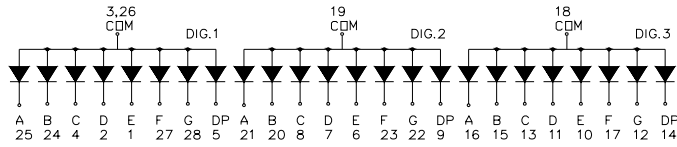
G. WCN2-XX80XX-C1X



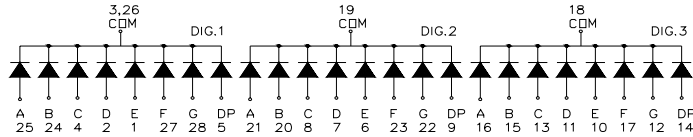
H. WCN2-XX80XX-A1X



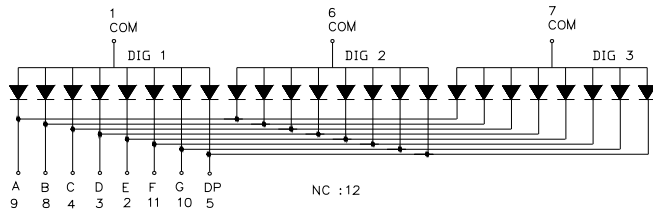
I. WCN3-XX80XX-A11



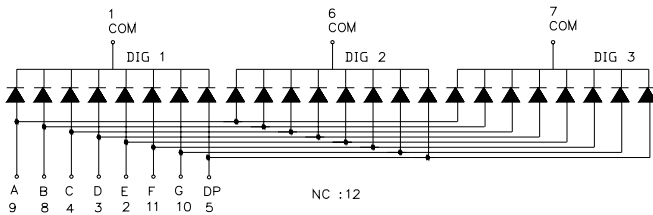
J. WCN3-XX80XX-C11



K. WCN3-XX80XX-A13



L. WCN3-XX80XX-C13



ABSOLUTE MAXIMUM RATINGS AT $T_a=25^\circ\text{C}$

PARAMETER	SH.RED	ORANGE	BRIGHT GREEN	UNIT
Power Dissipation Per Segment	50	65	65	mW
Peak Forward Current Per Segment (1/10 duty cycle 0.1ms pulse width)	100	100	100	mA
Continuous Forward Current Per Segment Derating Linear From 25°C Per Segment	25 0.30	25 0.20	25 0.33	mA mA/°C
Reverse Voltage Per Segment	5	5	5	V
Operating Temperature Range	-35°C to + 85°C			
Storage Temperature Range	-35°C to + 85°C			
Solder Temperature 1/16 inch below seating plane for 3 seconds at 260°C				

ELECTRICAL/OPTICAL CHARACTERISTICS AT T_a=25°C

WCN1-0080SR- A41/C41/A51/C51/A11R/C11R; WCN2-0080SR-A11/C11; WCN3-0080SR-A11/C11/A13/C13

PARAMETER	SYMBOL	MIN.	TYP.	MAX.	UNIT	TEST CONDITION
Luminous Intensity Per Segment	I _v	5.0	10.0		mcd	I _F =10mA
Dominant Wavelength	λ _D		643		nm	I _F =20mA
Peak Emission Wavelength	λ _P		660		nm	I _F =20mA
Spectral Line Half-Width	Δλ		20		nm	I _F =20mA
Forward Voltage Per Segment	V _F		1.8	2.0	V	I _F =20mA
Reverse Current Per Segment	I _R			100	μA	V _R =5V
Luminous Intensity Matching Ratio	I _{v-m}			2:1		I _F =10mA

WCN1-0080HO- A41/C41/A51/C51/A11R/C11R; WCN2-0080HO-A11/C11; WCN3-0080HO-A11/C11/A13/C13

PARAMETER	SYMBOL	MIN.	TYP.	MAX.	UNIT	TEST CONDITION
Luminous Intensity Per Segment	I _v	2.5	5.0	—	mcd	I _F =10mA
Dominant Wavelength	λ _D	—	622	—	nm	I _F =20mA
Peak Emission Wavelength	λ _P	—	632	—	nm	I _F =20mA
Spectral Line Half-Width	Δλ	—	35	—	nm	I _F =20mA
Forward Voltage Per Segment	V _F	—	2.05	2.6	V	I _F =20mA
Reverse Current Per Segment	I _R	—	—	100	μA	V _R =5V
Luminous Intensity Matching Ratio (Segment To Segment)	I _{v-m}			2:1		I _F =10mA

WCN1-0080GU- A41/C41/A51/C51/A11R/C11R; WCN2-0080GU-A11/C11; WCN3-0080GU-A11/C11/A13/C13

PARAMETER	SYMBOL	MIN.	TYP.	MAX.	UNIT	TEST CONDITION
Luminous Intensity Per Segment	I _v	3.2	7.5	—	mcd	I _F =10mA
Dominant Wavelength	λ _D	—	573	—	nm	I _F =20mA
Peak Emission Wavelength	λ _P	—	568	—	nm	I _F =20mA
Spectral Line Half-Width	Δλ	—	30	—	nm	I _F =20mA
Forward Voltage Per Segment	V _F	—	2.25	2.6	V	I _F =20mA
Reverse Current Per Segment	I _R	—	—	100	μA	V _R =5V
Luminous Intensity Matching Ratio (Segment To Segment)	I _{v-m}			2:1		I _F =10mA