

FEATURES

- 0.24"(6.2mm) digit height.
- High intensity and reliability.
- High quality and low cost.
- Choice of colors: Red/Orange/Green/Blue,etc
- Low power requirement.
- I. C. compatible.
- Easy assembly.

DESCRIPTION

The WCN4-XX24XX-XXX series are 0.24inch (6.20mm) height quad digit displays.

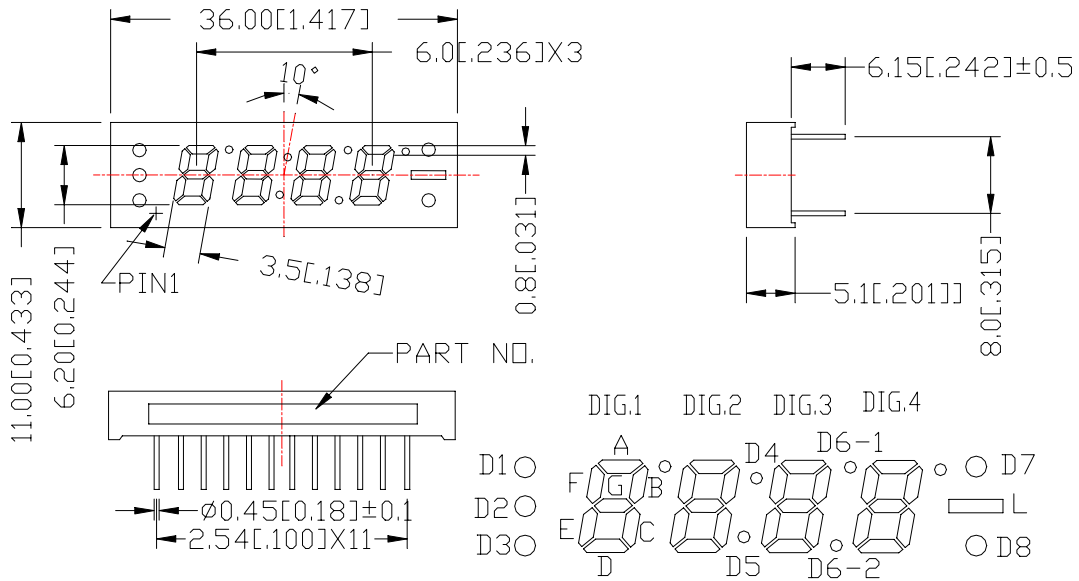
SH. Red displays have black face or gray face and milky segment or red segment.

Orange displays have black face or gray face and milky segment or red segment.

Bright Green displays have black face or gray face and milky segment or green segment.

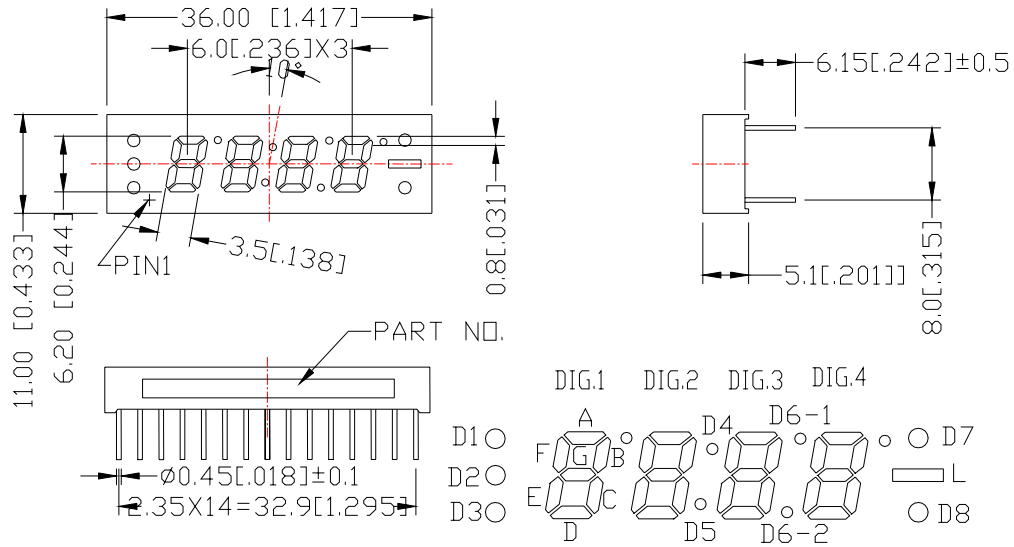
PACKAGE DIMENSIONS

A. WCN4-XX24XX-A1X/C1X/A3X/C3X



PACKAGE DIMENSIONS

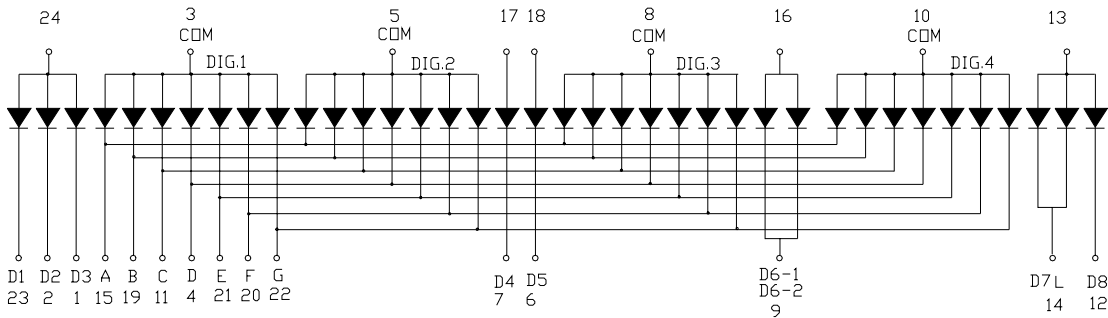
B. WCN4-XX24XX-A2X/C2X



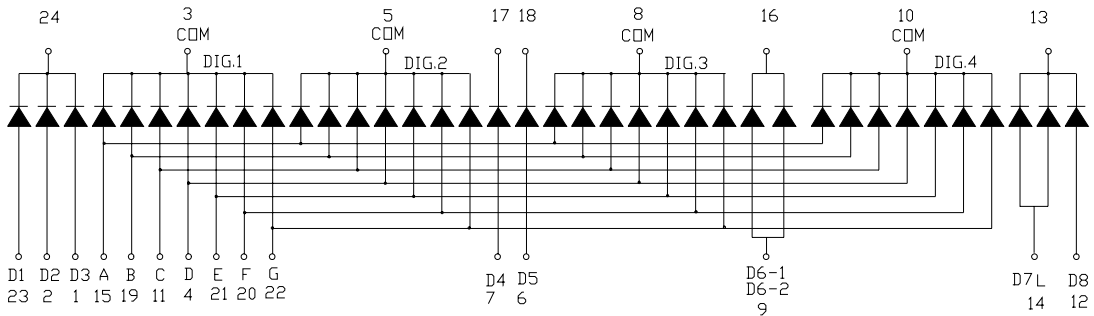
NOTES: All dimensions are in millimeters (inches) tolerance are $\pm 0.25\text{mm}(0.010)$ unless otherwise noted.

INTERNAL CIRCUIT DIAGRAM

A. WCN4-XX24XX-A1X

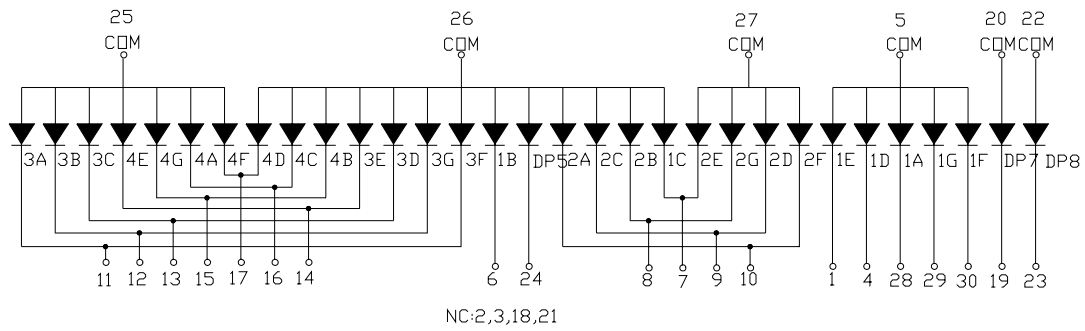


B. WCN4-XX24XX-C1X

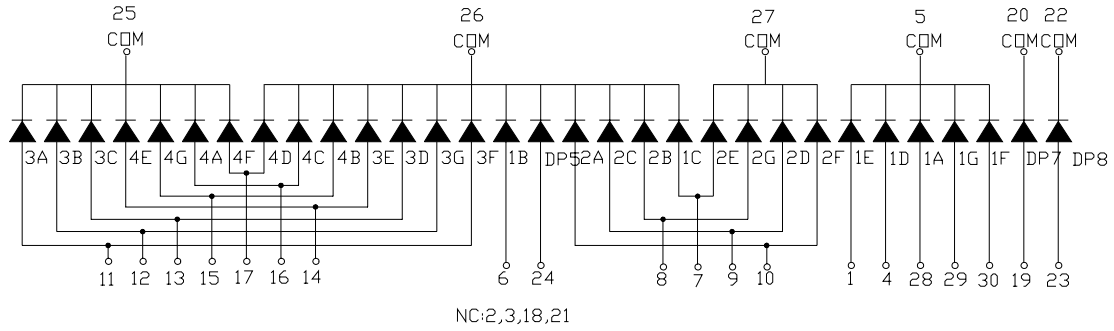


INTERNAL CIRCUIT DIAGRAM

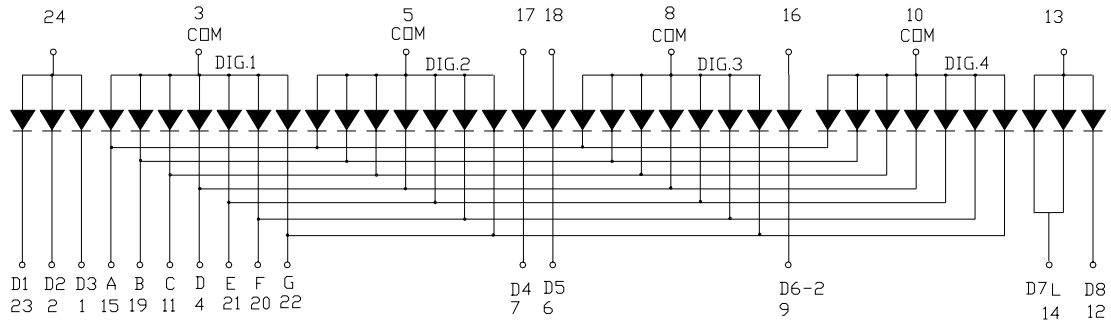
C. WCN4-XX24XX-A2X



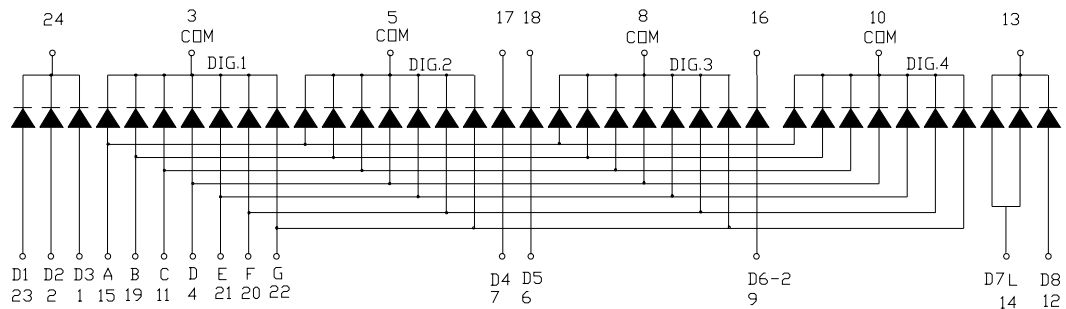
D. WCN4-XX24XX-C2X



E. WCN4-XX24XX-A3X



F. WCN4-XX24XX-C3X



ABSOLUTE MAXIMUM RATINGS AT T_a=25°C

PARAMETER	SH.RED	ORANGE	BRIGHT GREEN	UNIT
Power Dissipation Per Segment	50	65	65	mW
Peak Forward Current Per Segment (1/10duty cycle 0.1ms pulse width)	100	100	100	mA
Continuous Forward Current Per Segment Derating Linear From 25°C Per Segment	25 0.30	25 0.20	25 0.33	mA mA/°C
Reverse Voltage Per Segment	5	5	5	V
Operating Temperature Range	-35°C to + 85°C			
Storage Temperature Range	-35°C to + 85°C			
Solder Temperature 1/16 inch below seating plane for 3 seconds at 260°C				

ELECTRICAL/OPTICAL CHARACTERISTICS AT T_a=25°C**WCN4-0024SR-A11/C11/A21/C21/A31/C31**

PARAMETER	SYMBOL	MIN.	TYP.	MAX.	UNIT	TEST CONDITION
Luminous Intensity Per Segment	I _V	2.0	3.0	—	mcd	I _F =10mA
Dominant Wavelength	λ _D	—	643	—	nm	I _F =20mA
Peak Emission Wavelength	λ _P	—	660	—	nm	I _F =20mA
Spectral Line Half-Width	Δλ	—	20	—	nm	I _F =20mA
Forward Voltage Per Segment	V _F	—	1.8	2.0	V	I _F =20mA
Reverse Current Per Segment	I _R	—	—	100	μA	V _R =5V
Luminous Intensity Matching Ratio (Segment to Segment)	I _{V-m}			2:1		I _F =10mA

WCN4-0024HO-A11/C11/A21/C21/A31/C31

PARAMETER	SYMBOL	MIN.	TYP.	MAX.	UNIT	TEST CONDITION
Luminous Intensity Per Segment	I _V	0.8	1.2	—	mcd	I _F =10mA
Dominant Wavelength	λ _D	—	622	—	nm	I _F =20mA
Peak Emission Wavelength	λ _P	—	632	—	nm	I _F =20mA
Spectral Line Half-Width	Δλ	—	35	—	nm	I _F =20mA
Forward Voltage Per Segment	V _F	—	2.05	2.60	V	I _F =20mA
Reverse Current Per Segment	I _R	—	—	100	μA	V _R =5V
Luminous Intensity Matching Ratio (Segment to Segment)	I _{V-m}			2:1		I _F =10mA

WCN4-0024GU-A11/C11/A21/C21/A31/C31

PARAMETER	SYMBOL	MIN.	TYP.	MAX.	UNIT	TEST CONDITION
Luminous Intensity Per Segment	I_V	1.25	2.5	—	mcd	$I_F=10\text{mA}$
Dominant Wavelength	λ_D	—	573	—	nm	$I_F=20\text{mA}$
Peak Emission Wavelength	λ_P	—	568	—	nm	$I_F=20\text{mA}$
Spectral Line Half-Width	$\Delta\lambda$	—	30	—	nm	$I_F=20\text{mA}$
Forward Voltage Per Segment	V_F	1.80	2.25	2.60	V	$I_F=20\text{mA}$
Reverse Current Per Segment	I_R	—	—	100	μA	$V_R=5\text{V}$
Luminous Intensity Matching Ratio (Segment to Segment)	I_{V-m}			2:1		$I_F=10\text{mA}$